

10/100Base-TX
Single Port RJ45 Connector
with Integrated Magnetics

Part Number:
HY931110C

Electrical Specification @25°C

RoHS Compliant (Pb Free)

Isolation: 1500Vrms (UTP Side to Chip Side)

OCL: 350uH Minimum @100KHz 100mV with 8mADC

Insertion Loss: -1.1dB Maximum @300KHz ~ 100MHz

Return Loss: -16dB Minimum @1MHz ~ 30MHz

-14dB Minimum @30.1MHz ~ 40MHz

-13.5dB Minimum @40.1MHz ~ 50MHz

-12dB Minimum @60MHz, -10dB Minimum @80MHz

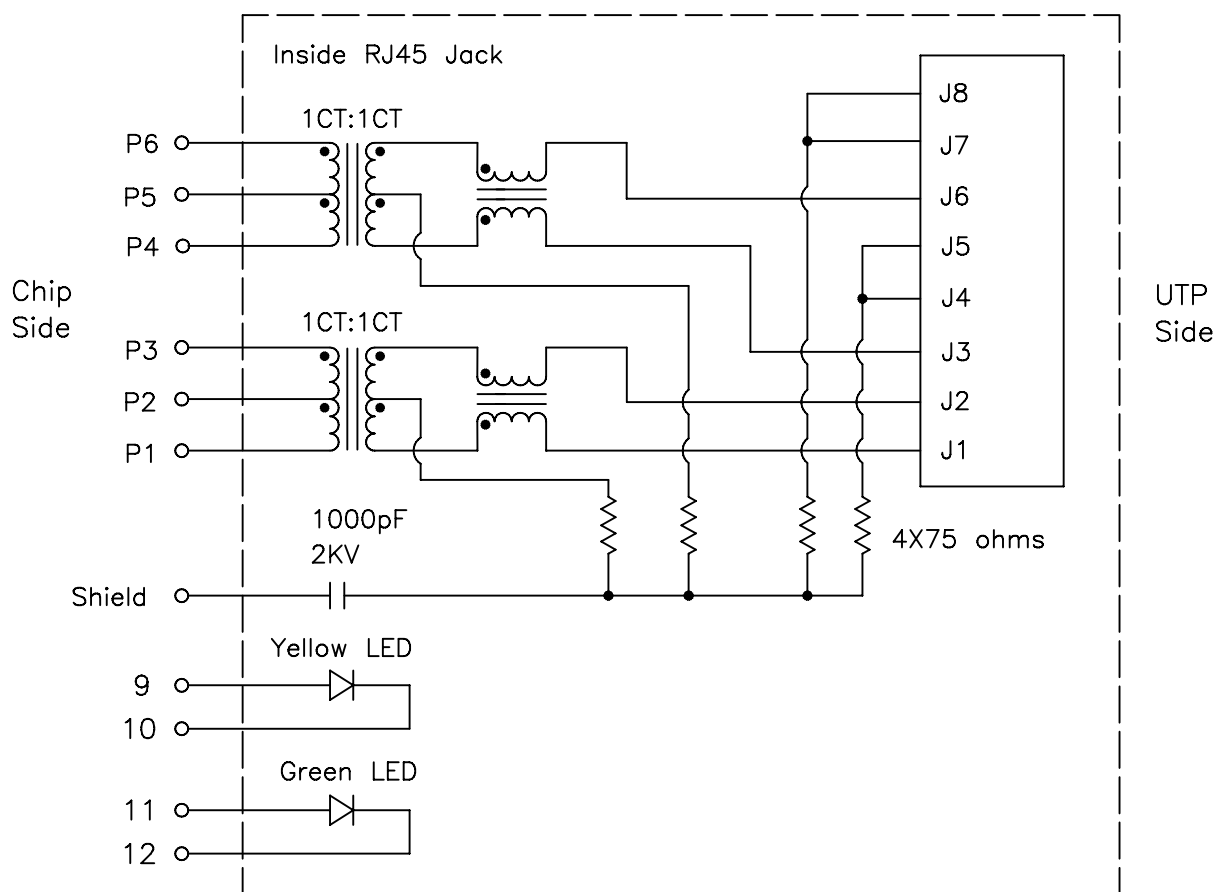
Common Mode Rejection: -40dB Minimum @1MHz ~ 60MHz

-35dB Minimum @60MHz ~ 100MHz

Crosstalk: -40dB Minimum @0.3MHz ~ 60MHz

-38dB Minimum @60MHz ~ 100MHz

Schematics



Part No.: HR931110C	Unless otherwise specified, Tolerance:	Rev: A	DRWN:	Date:
Dimensions in mm	.xx ±0.25	Page 1/2	APPD:	Date:

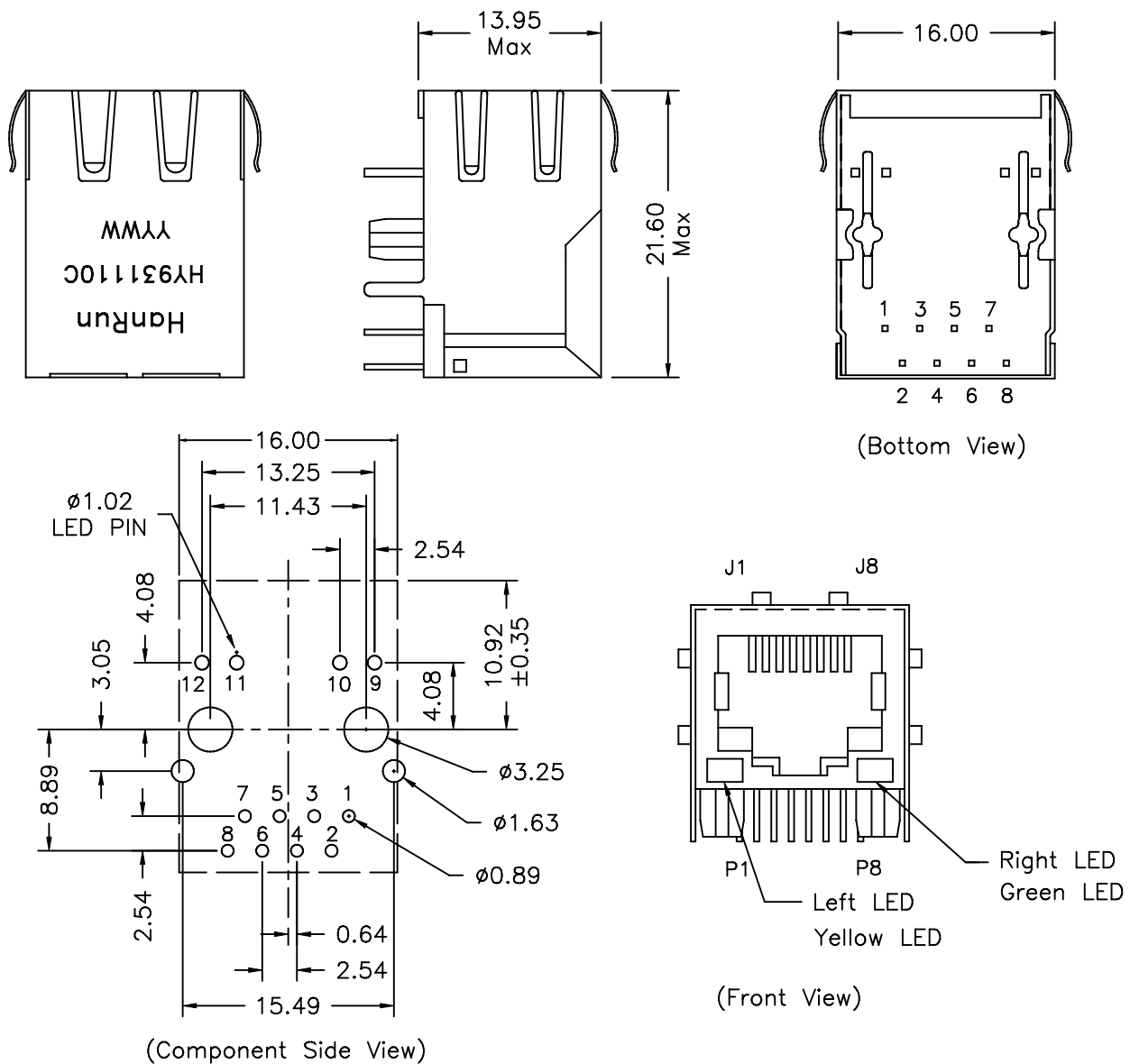
Single Port RJ45 Connector
with Integrated Magnetics

Part Number

HY931110C (Shield Type: C)

- RoHS Compliant (Pb Free)
- Meets or Exceeds IEEE802.3 standards including 350uH Min OCL with 8mADC
- High performance for EMI suppression, Crosstalk, Return Loss and Consistent Electrical
- Minimum 1500Vrms isolation per IEEE802.3 requirement
- Minimize PCB space and Simplify PCB Layout
- Less magnetic components to be placed on PCB, higher reliability and yields

Mechanical Dimensions:



Part No.: HY931110C	Unless otherwise specified, Tolerance: .xx ±0.25	Rev: A	DRWN:	Date:
Dimensions in mm		Page 2/2	APPD:	Date: